

ELPRO 115S - Industrial Serial I/O

Flexible serial I/O with multiple application modes:

Serial I/O multiplexer - transfer I/O via RS485 multidrop using WIBNet exception reporting protocol.

Expansion I/O for ELPRO 105U/905U wireless I/O units - up to 31 x 115S units can be connected to each wireless unit via RS485.

Modbus I/O - up to 99 x 115S units can be connected to each Modbus Master.

I/O interface for ELPRO 802.11 wireless Ethernet and Serial Server units - up to 99 115S units per wireless units.

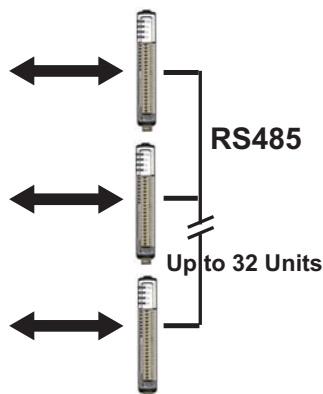
Features:

- Selectable communications protocol - Modbus (RTU and ASCII) or WIBNet (exception reporting, peer to peer with security encryption).
- Three I/O versions available:

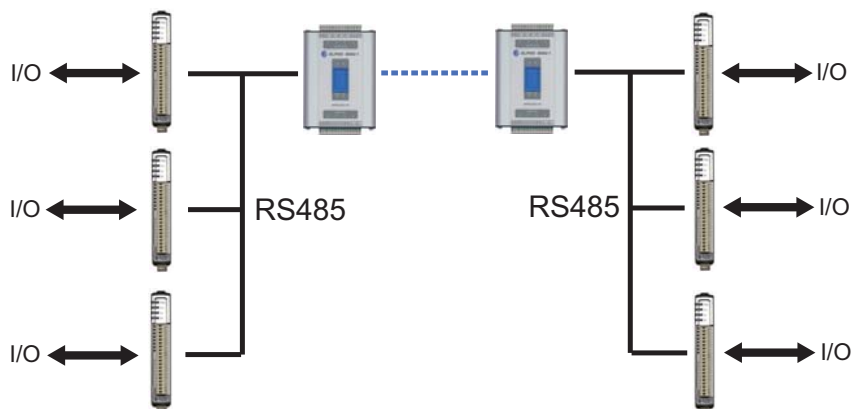
115S model	115S-11	115S-12	115S-13
Digital input/output	16	8	8
Analog inputs	0	4/8	0
Analog outputs	0	0	8
Pulse input/output	4	0	0



- Each model has a minimum of 8 (115S-11 has 16) digital I/O channels - each channel can be used as a volt free contact input or FET output (30VDC, 0.2A maximum)
- The first four DIO channels on the 115S-11 unit can be used as pulse input or output channels with maximum pulse rate of 10KHz. Pulse inputs provide both totalized count and pulse rate as separate values.
- Configurable analog inputs - 0-20/4-20mA: 0-10V. Selectable as 8 single terminal inputs (commoned) or 4 dual terminal 'floating' inputs (115S-12).
- Analog outputs are either commoned with selectable 'supply' or 'sink' connections (115S-13).
- Each analog input has a high/low setpoint to determine a setpoint status.
- Field test and display I/O inputs and/or force outputs, monitor and confirm communications and configure units with user friendly configuration software.



Serial I/O transfer
(peer to peer, exception reporting)



Expansion I/O for ELPRO Wireless I/O
(WIBNet protocol)

115S - Industrial Serial I/O Units

SPECIFICATIONS

Specifications - 115S Serial I/O Units

General

Temperature -40 to +60 degC
(-40 to 140 degF).

Humidity 0-99% RH

EMC FCC Part 15, AS3548, 89/336/EEC

CSA Class 1 Div 2 hazardous areas (USA/Canada)

Housing – high density thermo-plastic

5.91" x 7.09" x 1.38" (150 X 180 x 35mm) with
DIN rail mounting.

Removable terminals up to 12 gauge (2.5 sqmm)
wires.

LED indication for power supply, processor OK,
serial TX and RX,digital I/O.

Inputs and Outputs

Digital Inputs:
Suitable for voltage free contacts or
NPN transistor, contact wetting current
5mA, inputs are surge protected:

115S -11 - up to 16 selectable I/O

115S -12 & -13 up to 8 selectable I/O

Digital Outputs:

FET outputs, 30VDC 200mA

115S -11 up to 16 selectable I/O

115S -12 ,-13, -14 up to 8 selectable I/O

Analog Inputs:

"Floating" differential inputs, common mode
voltage 27V, 24VDC (20VDC for 115S-13)
for powering external loops provided,
digital filtering 1 sec, 0-20mA/0-10V
resolution 12 bit, accuracy 0.1%

115S -12 - 8 input channels, selectable as 4
dual-terminal floating inputs or 8 single-terminal
commoned inputs.

Analog Outputs:

Selectable as current/voltage source or current sink to
common, max loop voltage 27V, max loop resistance
1000 ohms, 0 – 20mA/0 – 10V, 12 bit, accuracy 0.1%
115S - 13 - 8 channels, 160mA maximum total current

Pulse Inputs:

Specifications as per digital inputs.
Max pulse rate 1kHz, pulse width min 0.5ms
115S - 11 - 4 inputs (DIO1-4)

Pulse Outputs:

Specifications as per digital outputs.
Max pulse rate 15.625Hz, pulse width min 32ms
115S -11,-12,-13,-14 8 outputs (DIO1-8)

Power Supply

10.8 - 30 VDC, over-voltage and reverse
power protected .

Internal monitoring of supply voltage.

Values may be transmitted to remote modules
for monitoring.

Internal DC/DC converter provides 24VDC
(250mA for 115S-12: 160mA for 115S-13)
for analog loop supply.

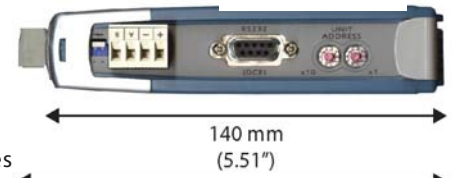
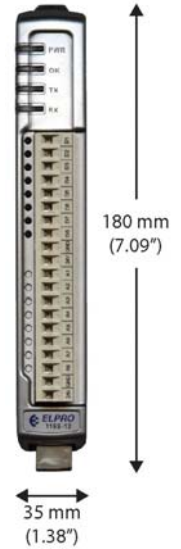
Serial Port

RS485 serial port configurable up to 115.2Kb/s,
7/8 data bits, n/e/o parity, 1 / 2 stopbits.
RS232 configuration port 9pin DB9 female
connector, 9.6Kb/s, 8/n/1
RS485 max cable distance 2000 m terminal
connections.

Weight

0.359 grams

Specifications subject to change without notice



A member of the MTL Instruments Group

www.elprotech.com



THINK WIRELESS... THINK ELPRO

WORLDWIDE OFFICE LOCATIONS:

USA/Canada
Ph: 619 741 3574

United Kingdom
Ph: 44 1295 72 4270

Australia
Ph: 61 7 3352 8600